



# SELF-SERVICE

# CENTRAL PAYMENT KIOSK MY LAUNDRY TIME KIOSK 12

## CHARACTERISTICS

- Central payment with 12.1' screen.
- Connection of the central to the Internet via Ethernet.
- Front or rear opening for maintenance.
- Integrated with FagorKonnnect for unlimited connections of Fagor machines via Ethernet - IoT.
- It can be connected by means of pulse communication to other equipment (8 machines per kiosk)\*.

\*Installation of an electronic element offered by Fagor is required in case of pulse connection.

## OPTIONS

- External signal card for pulses.

## SIMPLICITY OF USE

Select the process (washing, drying or ozone cabinets).

\_\_\_\_\_

Select the machine.

\_\_\_\_\_

Select the programme.

\_\_\_\_\_

Pay by placing your card near the **contactless device**.

\_\_\_\_\_

Insert the clothes in the machine and press start.



## GENERAL DATA

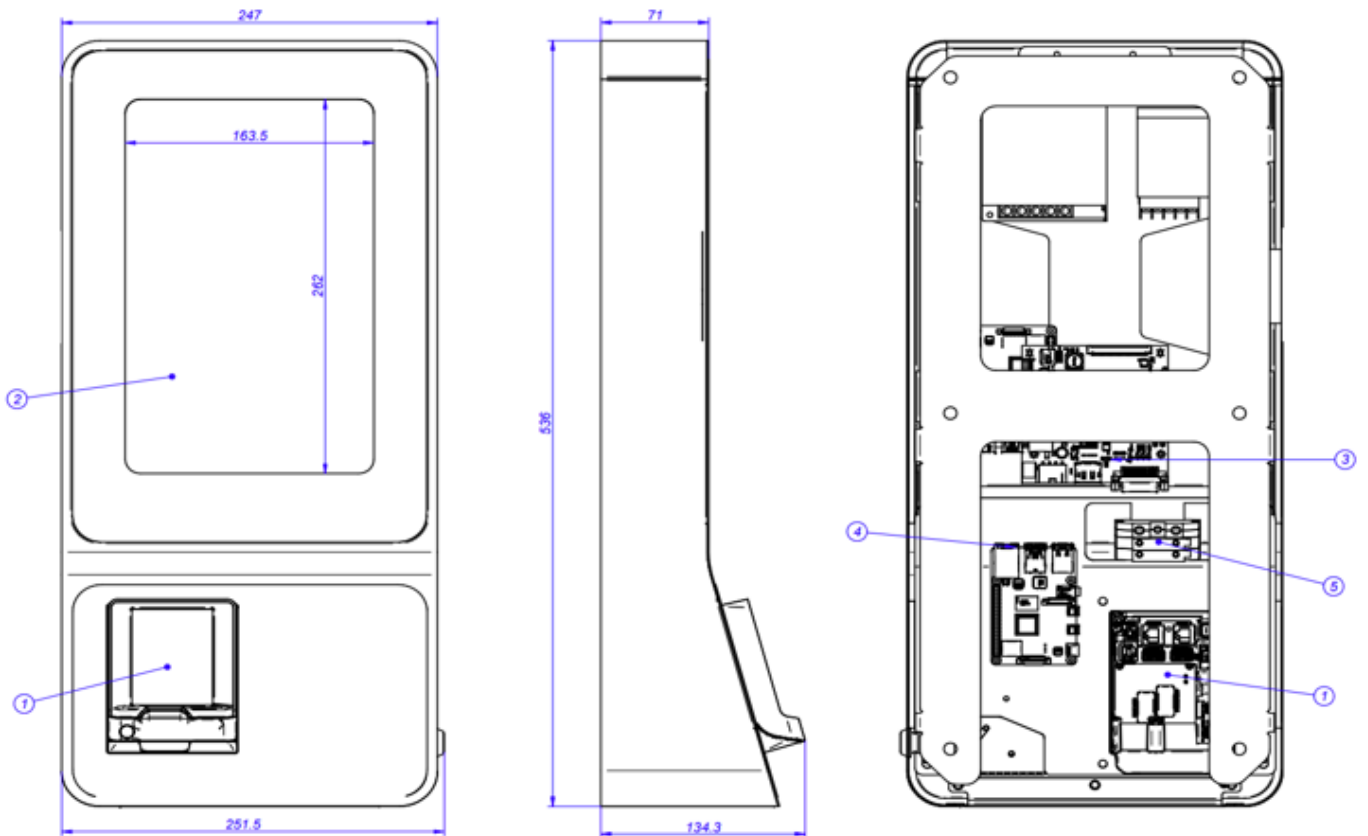
Pulse connection	-	Opt.
Pulse wiring capability	Nº	8
Ethernet connection	-	Yes
Customisable graphics	-	Yes
Possibility of wall installation	-	Yes
Accessible from a back room	-	Yes
Printer	-	No

## CONNECTIONS

		ELECTRIC
Voltage 230V- I + N +T	Nº x mm <sup>2</sup> / A	2 x 1,5 + T - 16A
Ethernet cable	-	1 x
Pulse wiring	-	8 x

## DIMENSIONS

Net width	mm	254
Net depth	mm	134,3
Net height	mm	536,1
Net weight	Kg	4,5



- 01. Dataphone
- 02. Screen 12,1"
- 03. Controller
- 04. Ethernet connection
- 05. Electrical connections



# SELF-SERVICE

# CENTRAL PAYMENT KIOSK MY LAUNDRY TIME KIOSK 32

## CHARACTERISTICS

- Central payment with 32" screen.
- Connection of the central to the Internet via Ethernet.
- Front or rear opening for maintenance.
- Integrated with FagorKonnnect for unlimited connections of Fagor machines via Ethernet - IoT.
- It can be connected by means of pulse communication to other equipment (8 machines per kiosk)\*.

\*Installation of an electronic element offered by Fagor is required in case of pulse connection.



## OPTIONS

- External signal card for pulses.

## SIMPLICITY OF USE

Select the process (washing, drying or ozone cabinets).

\_\_\_\_\_

Select the machine.

\_\_\_\_\_

Select the programme.

\_\_\_\_\_

Pay by placing your card near the **contactless device.**

\_\_\_\_\_

Insert the clothes in the machine and press start.

## GENERAL DATA

Pulse connection	-	Opt.
Pulse wiring capability	Nº	8
Ethernet connection	-	Yes
Customisable graphics	-	Yes
Possibility of wall installation	-	Yes
Accessible from a back room	-	Yes
Printer	-	Yes

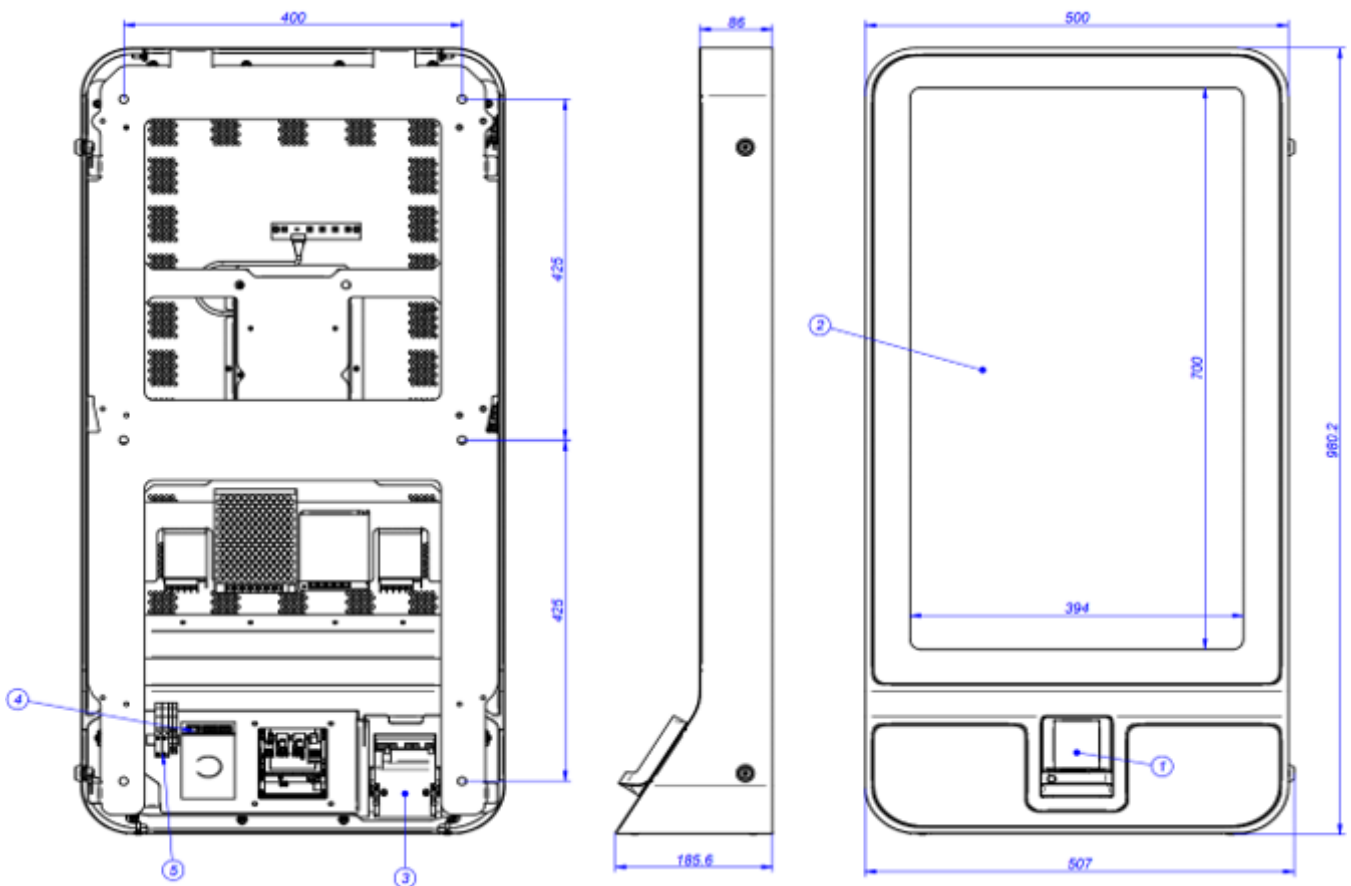
## CONNECTIONS

## ELECTRIC

Voltage 230V- I + N +T	Nº x mm <sup>2</sup> / A	2 x 1,5 + T - 16A
Ethernet cable	-	1 x
Pulse wiring	-	8 x

## DIMENSIONS

Net width	mm	507
Net depth	mm	185,6
Net height	mm	980,2
Net weight	Kg	20

**WITH ENABLED REAR ROOM**

All wiring concealed and possibility of manipulation of components through the rear.

For this purpose, it is recommended to drill a cavity in the wall respecting the fixing points of the Kiosk anchoring piece.

**WITHOUT REAR ROOM**

A cable outlet is required at the front, which contains the Ethernet cable, power supply and pulse wiring.

By opening a lock on the side, it is possible to move the whole assembly (leaving only the anchoring piece on the wall) in order to carry out maintenance of the components.

- 01. Dataphone
- 02. Screen 31,5"
- 03. Printer (optional)
- 04. Ethernet connection
- 05. Electrical connections



# SELF-SERVICE

# CENTRAL PAYMENT KIOSK

## MY LAUNDRY TIME KIOSK 32 + PRINTER



### CHARACTERISTICS

- Central payment with 32' screen.
- Connection of the central to the Internet via Ethernet.
- Front or rear opening for maintenance.
- Integrated with FagorKonnnect for unlimited connections of Fagor machines via Ethernet - IoT.
- It can be connected by means of pulse communication to other equipment (8 machines per kiosk)\*.

\*Installation of an electronic element offered by Fagor is required in case of pulse connection.

### OPTIONS

- External signal card for pulses.

### SIMPLICITY OF USE

Select the process (washing, drying or ozone cabinets).

—————  
Select the machine.

—————  
Select the programme.

—————  
Pay by placing your card near the **contactless device**.

—————  
Insert the clothes in the machine and press start.

## GENERAL DATA

Pulse connection	-	Opt.
Pulse wiring capability	Nº	8
Ethernet connection	-	Yes
Customisable graphics	-	Yes
Possibility of wall installation	-	Yes
Accessible from a back room	-	Yes
Printer	-	Yes

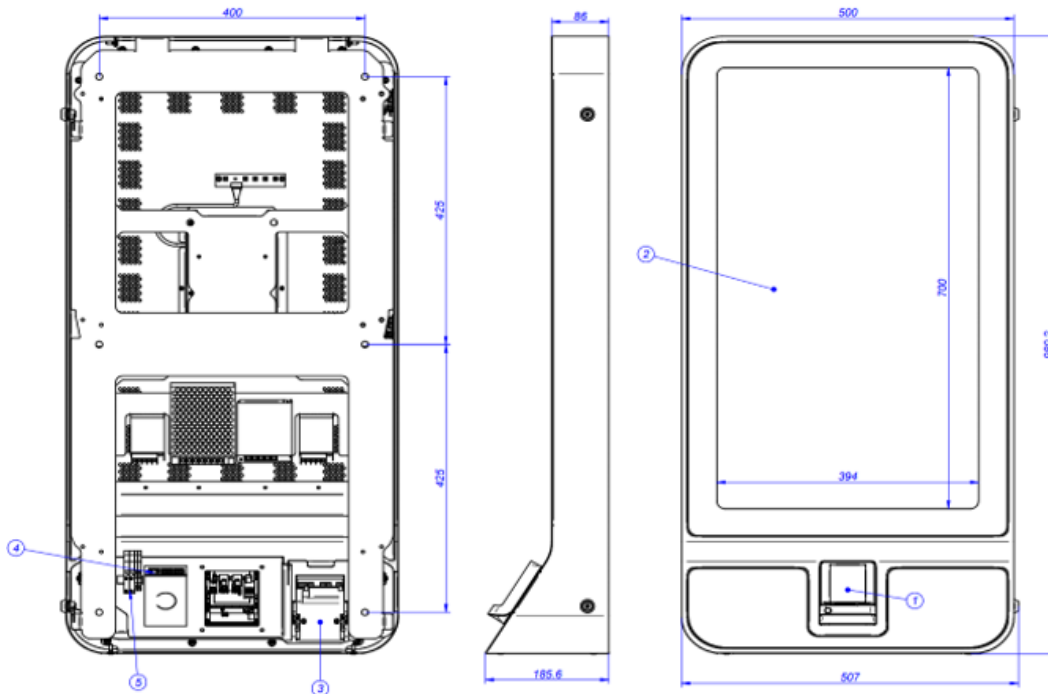
## CONNECTIONS

## ELECTRIC

Voltage 230V- I + N +T	Nº x mm <sup>2</sup> / A	2 x 1,5 + T - 16A
Ethernet cable	-	1 x
Pulse wiring	-	8 x

## DIMENSIONS

Net width	mm	507
Net depth	mm	185,6
Net height	mm	980,2
Net weight	Kg	20

**WITH ENABLED REAR ROOM**

All wiring concealed and possibility of manipulation of components through the rear.

For this purpose, it is recommended to drill a cavity in the respecting the fixing points of the Kiosk anchoring piece.

**WITHOUT ENABLED REAR ROOM**

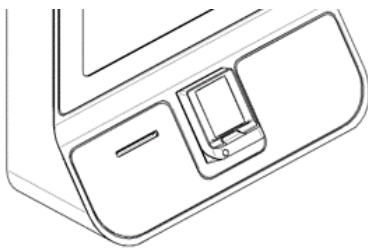
A cable outlet is required at the front, which contains the Ethernet cable, power supply and pulse wiring.

By opening a lock on the side, it is possible to move the whole assembly (leaving only the anchoring piece on the wall) in order to carry out maintenance of the components.

**PRINTER OPTION**

In order to facilitate the maintenance of the Kiosk with printer, a lockable front opening has been fitted. This is specially designed for the quick replacement of printing paper.

Not available on the 12" Kiosk.



- 01. Dataphone
- 02. Screen 31,5"
- 03. Printer
- 04. Ethernet connection
- 05. Electrical connections