

IRONING AND FOLDING

COMPACT FLATWORK IRONERS PHOENIX Ø600 SPE600-2600/3300

CHARACTERISTICS

SPE models are the most complete models that dry, iron and fully fold (length and cross) in 1 or 2 lanes. They can be equipped with a stacker as option: 2 models available.

- Roll dimensions: working width 2m60 and 3m30, diameter 600 mm.
- 1 or 2 working lanes : one lane for bedsheets and two lanes for tablecloth and small pieces.
- Length fold (1 or 2 folds) and crossfold (up to 3 folds).
- Folding by photocells and compressed air
- Two types of stacker, with possibility to program the number of stacked items. The stacker can be located on either side of the machine.
- Frequency inverter.
- Feeding and ironing by Nomex quality belts.
- Panels in painted steel.
- Polished steel roll with fingers guard.
- Touch screen control: programs can be created with speed control between 3 and 18 m/min and temperature.
- Big output capacity: depending on the residual moisture of the linen, up to 290 kg/h straight from a high spin washer extractor.
- Electric, gas or steam heating
- Powerful exhaust system
- Compressed air connexion required: pressure 6,5 bar



OPTIONS

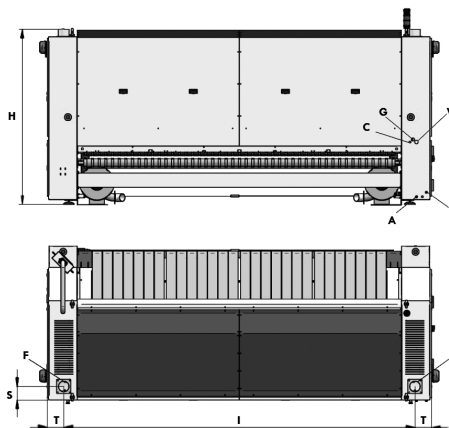
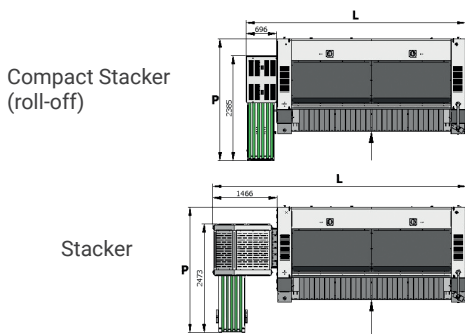
- Automatic 1 lane automatic clamp feeder with vacuum table
- Vacuum table
- Rear exit with by-pass
- Small pieces 2 lanes back collector + by-pass
- Small pieces 4 lanes back collector + by-pass
- Double air pressure in length folds for thicker linen
- Linen reject system
- Compact stacker (Roll-off): it can stack up to 5 tablecloth, 10 bedsheets
- Stacker: it can stack up to 10 - 15 tablecloth, 10 bedsheets
- Special tension
- Remote service
- Maintenance kit for ironers

TECHNICAL DATA

COMPACT FLATWORK IRONERS | PHOENIX Ø 600 | SPE600-2600/3300

	UNIT.	SPE600-2600	SPE600-3300
GENERAL DATA			
Theoretical production (45% humidity)	Kg/h	75-105*	110-140*
Ø Roll	mm	600	600
Working width	mm	2.600	3.300
Height floor-feeding	mm	1.050	1.050
Working speed	mt/min	1-12	1-12
Control type	-	Digital	Digital
Programmes	Nº	20	20
Side stacker	Nº	Opt	Opt
FOLDING			
1 lane - Primary fold	Nº	1-2	1-2
1 lane - Cross fold	Nº	1-2-3	1-2-3
2 lanes - Primary fold	Nº	1-2	1-2
2 lanes - Cross fold	Nº	1-2	1-2
POWER			
Heating power (electric model)	kW	54	54
Total electric power (electric model)	kW	57,1	57,1
Heating power (gas model)	kW	63,30 / 67,40	80,30 / 86,30
Total electric power (gas model)	kW	3,1	3,1
Heating power (steam model)	kW	55	75
Total electric power (steam model)	kW	3,1	3,1
CONNECTIONS			
Ø Gas inlet	BSP	1"	1"
Ø Steam inlet	BSP	1"	1"
Ø Condensed (Steam model)	BSP	1/2"	1/2"
Ø Air inlet	mm	12	12
DIMENSIONS / PACKAGING DIMENSIONS			
Width / Width	mm	3.740 / 3.900	4.440 / 4.600
Depth / Depth	mm	2.210 / 2.280	2.210 / 2.280
Height / Height	mm	2.040 / 1.970	2.040 / 1.970
Weight / Weight	Kg	2.686 / 3.050	3.080 / 3.680
Volume	m3	16,86 / 17,52	20,02 / 20,66
OTHERS			
No. Fume outlet	Nº	2	2
Ø Fume outlet	mm	120	120
Air flow	m3/h	2 x 1.000	2 x 1.000
Air Consumption (6,5 Bar)	NI/h	15.000	15.000
Sound Level	dB	70	70

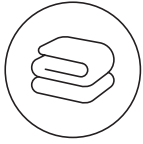
*50% residual moisture, 140gr / m2 of cotton, 100% roll utilization



- A. Compressed air inlet
- C. Condensation discharge (steam models)
- E. Electrical connection
- F. Fumes extraction
- G. Gas inlet
- V. Steam inlet

	L	P		L	P
SPE600-2600	4.425	2.385	SPE600-2600	5.105	2.476
SPE600-3300	5.125	2.385	SPE600-3300	5.805	2.476

	H	I	T	S	A	C	E	F	G	V	W
SPE600-2600	1.867	1.196	1.208	478	Ø 12	1/2"	5G4	Ø 120	1"	1"	765
SPE600-3300	1.867	1.896	1.208	478	Ø 12	1/2"	5G4	Ø 120	1"	1"	765



IRONING AND FOLDING

COMPACT FLATWORK IRONERS PHOENIX Ø800 SPE800-2600/3300

CHARACTERISTICS

SPE models are the most complete models that dry, iron and fully fold (length and cross) in 1 or 2 lanes. They can be equipped with a stacker as option: 2 models available.

- Roll dimensions: working width 2m60 and 3m30, diameter 800 mm.
- 1 or 2 working lanes : one lane for bedsheets and two lanes for tablecloth and small pieces.
- Length fold (1 or 2 folds) and crossfold (up to 3 folds).
- Folding by photocells and compressed air
- Two types of stacker, with possibility to program the number of stacked items. The stacker can be located on either side of the machine.
- Frequency inverter.
- Feeding and ironing by Nomex quality belts.
- Panels in painted steel.
- Polished steel roll with fingers guard.
- Touch screen control: programs can be created with speed control between 3 and 18 m/min and temperature.
- Big output capacity: depending on the residual moisture of the linen, up to 290 kg/h straight from a high spin washer extractor.
- Electric, gas or steam heating
- Two versions for gas heated models: - gas with atmospheric burners, - gas with radiant burners, 25 % gas consumption savings and 25 % more production
- Powerful exhaust system
- Compressed air connexion required: pressure 6,5 bar



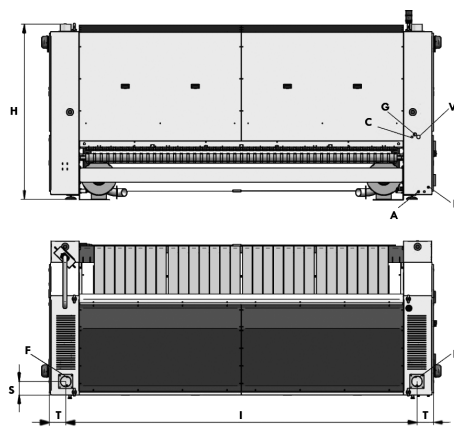
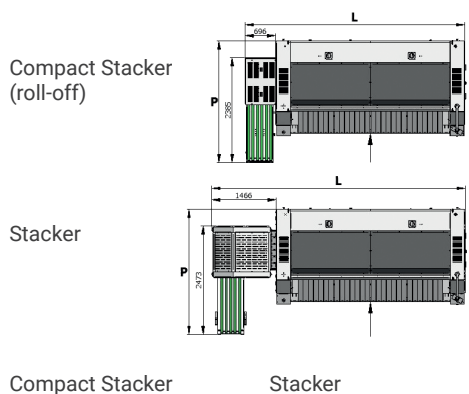
OPTIONS

- Automatic 1 lane automatic clamp feeder with vacuum table.
- Vacuum table.
- Rear exit with by-pass.
- Small pieces 2 lanes back collector + by-pass.
- Small pieces 4 lanes back collector + by-pass.
- Double air pressure in length folds for thicker linen.
- Linen reject system.
- Compact stacker (Roll-off): it can stack up to 5 tablecloth, 10 bedsheets.
- Stacker: it can stack up to 10 - 15 tablecloth, 10 bedsheets.
- Special tension.
- Remote service.
- Maintenance kit for ironers.

TECHNICAL DATA

COMPACT FLATWORK IRONERS | PHOENIX Ø 800 | SPE800-2600/3300

	UNIT.	SPE800 - 2600	SPE800 - 3300
GENERAL DATA			
Theoretical production (45% humidity)	Kg/h	140-175*	180-220*
Ø Roll	mm	800	800
Working width	mm	2.600	3.300
Height floor-feeding	mm	1.050	1.050
Working speed	mt/min	3-13	3-13
Control type	-	Digital	Digital
Programmes	Nº	20	20
Side stacker	Nº	Opt	Opt
FOLDING			
1 lane - Primary fold	Nº	1-2	1-2
1 lane - Cross fold	Nº	1-2-3	1-2-3
2 lanes - Primary fold	Nº	1-2	1-2
2 lanes - Cross fold	Nº	1-2	1-2
POWER			
Heating power (electric model)	kW	72	72
Total electric power (electric model)	kW	75,5	75,5
Heating power (gas model)	kW	86,95 / 91,70	124,70 / 124,10
Total electric power (gas model)	kW	3,5	3,5
Heating power (steam model)	kW	85	110
Total electric power (steam model)	kW	3,5	3,5
CONNECTIONS			
Ø Gas inlet	BSP	1"	1"
Ø Steam inlet	BSP	1"	1"
Ø Condensed (Steam model)	BSP	1/2"	1/2"
Ø Air inlet	mm	12	12
DIMENSIONS / PACKAGING DIMENSIONS			
Width / Width	mm	3.740 / 3.900	4.440 / 4.600
Depth / Depth	mm	2.210 / 2.280	2.210 / 2.280
Height / Height	mm	2.300 / 2.230	2.300 / 2.230
Weight / Weight	Kg	3.350 / 3.750	3.730 / 4.330
Volume	m3	19,01 / 19,83	22,57 / 23,39
OTHERS			
No. Fume outlet	Nº	2	2
Ø Fume outlet	mm	160	160
Air flow	m3/h	2 x 1.000	2 x 1.000
Air Consumption (6,5 Bar)	Nl/h	19.000	19.000
Sound Level	dB	70	70

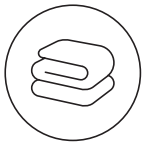


*50% residual moisture, 140gr / m2 of cotton, 100% roll utilization

- A. Compressed air inlet
- C. Condensation discharge (steam models)
- E. Electrical connection
- F. Fumes extraction
- G. Gas inlet
- V. Steam inlet

	L	P		L	P
SPE800-2600	4.425	2.385	SPE800-2600	5.105	2.476
SPE800-3300	5.125	2.385	SPE800-3300	5.805	2.476

	H	I	T	S	A	C	E	F	G	V	W
SPE800-2600	1.867	1.196	1.208	478	Ø 12	1/2"	5G4	Ø 160	1"	1"	765
SPE800-3300	1.867	1.896	1.208	478	Ø 12	1/2"	5G4	Ø 160	1"	1"	765



IRONING AND FOLDING

COMPACT FLATWORK IRONERS PHOENIX Ø1000 SPE1000-2600/3300

CHARACTERISTICS

SPE models are the most complete models that dry, iron and fully fold (length and cross) in 1 or 2 lanes. They can be equipped with a stacker as option: 2 models available.

- Roll dimensions: working width 2m60 and 3m30, diameter 1.000 mm.
- 1 or 2 working lanes: one lane for bedsheets and two lanes for tablecloth and small pieces.
- Length fold (1 or 2 folds) and crossfold (up to 3 folds).
- Folding by photocells and compressed air.
- Two types of stacker, with possibility to program the number of stacked items. The stacker can be located on either side of the machine.
- Frequency inverter.
- Feeding and ironing by Nomex quality belts.
- Panels in painted steel.
- Polished steel roll with fingers guard.
- Touch screen control: programs can be created with speed control between 3 and 18 m/min and temperature.
- Big output capacity: depending on the residual moisture of the linen, up to 290 kg/h straight from a high spin washer extractor.
- Electric, gas or steam heating.
- Two versions for gas heated models:
 - gas with atmospheric burners,
 - gas with radiant burners,
 25 % gas consumption savings and 25 % more production.
- Powerful exhaust system
- Compressed air connexion required: pressure 6,5 bar.



OPTIONS

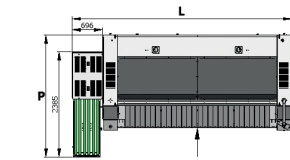
- Automatic 1 lane automatic clamp feeder with vacuum table.
- Vacuum table.
- Rear exit with by-pass.
- Small pieces 2 lanes back collector + by-pass.
- Small pieces 4 lanes back collector + by-pass.
- Double air pressure in length folds for thicker linen.
- Linen reject system.
- Compact stacker (Roll-off): it can stack up to 5 tablecloth, 10 bedsheets.
- Stacker: it can stack up to 10 - 15 tablecloth, 10 bedsheets.
- Special tension.
- Remote service.
- Maintenance kit for ironers.

TECHNICAL DATA

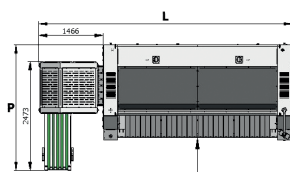
COMPACT FLATWORK IRONERS | PHOENIX Ø 1000 | SPE1000-2600/3300

	UNIT.	SPE1000-2600	SPE1000-3300
GENERAL DATA			
Theoretical production (45%) humidity	Kg/h	190-230*	250-290*
Ø Roll	mm	1.000	1.000
Working width	mm	2.600	3.300
Height floor-feeding	mm	1.050	1.050
Working speed	mt/min	4-18	4-18
Control type	-	Digital	Digital
Programmes	Nº	20	20
Side stacker	Nº	Opt	Opt
FOLDING			
1 lane - Primary fold	Nº	1-2	1-2
1 lane - Cross fold	Nº	1-2-3	1-2-3
2 lanes - Primary fold	Nº	1-2	1-2
2 lanes - Cross fold	Nº	1-2	1-2
POWER			
Heating power (electric model)	kW	90	90
Total electric power (electric model)	kW	93,4	93,4
Heating power (gas model)	kW	120,90 / 121,30	155,70 / 159,10
Total electric power (gas model)	kW	3,9	3,9
Heating power (steam model)	kW	120	150
Total electric power (steam model)	kW	3,9	3,9
CONNECTIONS			
Ø Gas inlet	BSP	1"	1"
Ø Steam inlet	BSP	1-1/4"	1-1/4"
Ø Condensed (Steam model)	BSP	1"	1"
Ø Air inlet	mm	12	12
DIMENSIONS / PACKAGING DIMENSIONS			
Width / Width	mm	3.740 / 3.900	4.440 / 4.600
Depth / Depth	mm	2.290 / 2.300	2.290 / 2.300
Height / Height	mm	2.480 / 2.290	2.480 / 2.290
Weight / Weight	Kg	3.960 / 4.410	4.460 / 5.110
Volume	m3	21,24 / 20,54	25,22 / 24,23
OTHERS			
No. Fume outlet	Nº	2	2
Ø Fume outlet	mm	160	160
Air flow	m3/h	2 x 1.000	2 x 1.000
Air Consumption (6,5 Bar)	NI/h	21.000	21.000
Sound Level	dB	70	70

Compact Stacker
(roll-off)

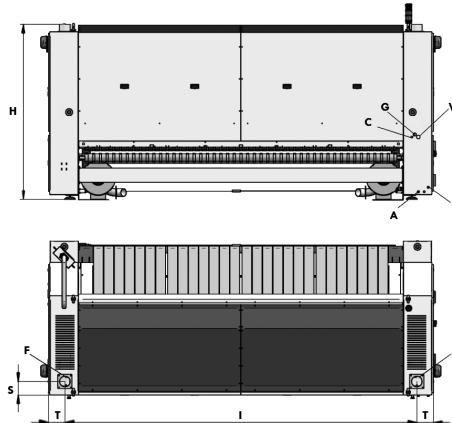


Stacker



Compact Stacker

Stacker



*50% residual moisture, 140gr / m2 of cotton, 100% roll utilization

- A. Compressed air inlet
- C. Condensation discharge (steam models)
- E. Electrical connection
- F. Fumes extraction
- G. Gas inlet
- V. Steam inlet

	L	P		L	P
SPE1000-2600	4.425	2.385	SPE1000-2600	5.105	2.476
SPE1000-3300	5.125	2.385	SPE1000-3300	5.805	2.476

	H	I	T	S	A	C	E	F	G	V	W
SPE1000-2600	2.247	1.196	1.208	345	Ø 12	1"	5G4	Ø 160	1"	1-1/4"	800
SPE1000-3300	2.247	1.896	1.208	345	Ø 12	1"	5G4	Ø 160	1"	1-1/4"	800