



DRYING

STACK DRYERS CONCEPT SR-2-11/14/18 M



CHARACTERISTICS

M PROGRAMMER

- M programmer: push buttons to control temperature and time.

OUTSTANDING FEATURES

- Reversing drum action as standard.
- Stainless steel drum as standard.
- Frequency inverter as standard.

EFFICIENCY

- MIXED FLOW - mixed axial-radial airflow.
- Big fluff filter.

VERSATILITY

- Make to order - customisation.
- OPL > Multivending - Standard OPL model easily trasformable to coin laundry uses.

ERGONOMICS

- Drawer as fluff filter, made of stainless steel.
- Biggest door diameters.
- 180° opening hinges.

MAINTENANCE

- Hinged panel: easy and ergonomic access.
- Technical menu: statistics for technicians and maintenance with external console (with console option).

OTHERS

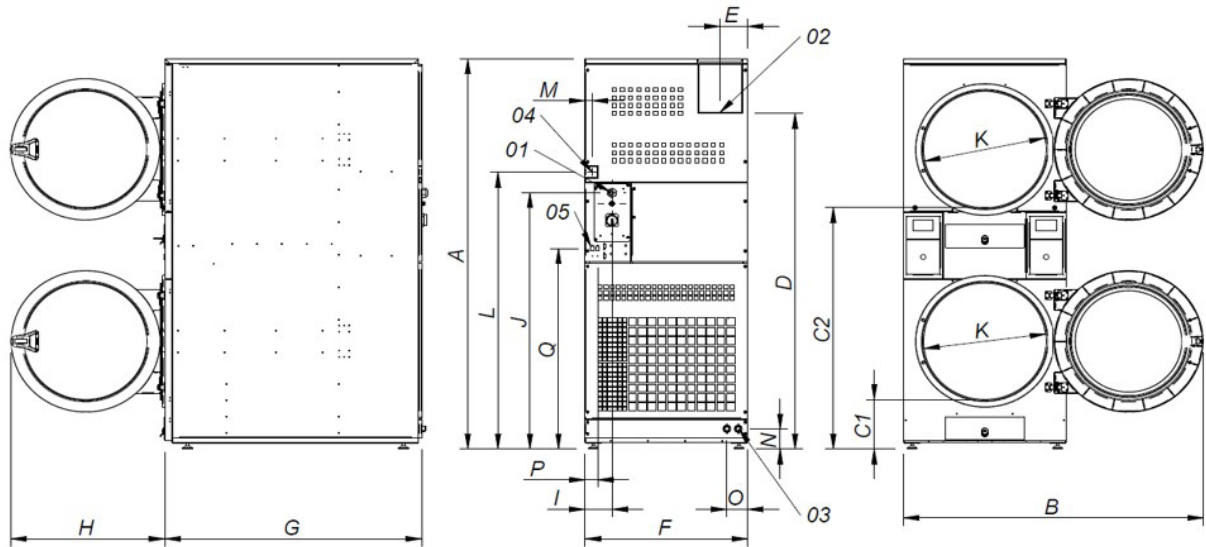
- Grey skinplate outer casing, stainless steel look.
- FK - Integrated Fire Extinguishing System.
- SOFT TOUCH - drum with stamped holes.
- COOL DOWN - anti-wrinkle at the end of the cycle.
- Heating options: electric, gas.
- CE approved.

OPTIONS

- Screen in M programmer (2 units).
- Double dooglass.
- Fluff filter grid 0,3 mm (standard in STACK is 0,6 mm)
- Stainless steel front and side panels.
- Front panel in stainless steel.
- Maritime ooden packing.
- Ship voltage for electric models: 440V III 50/60 Hz No neutral.
- Other voltagages available

	U.	SR-2-11 M	SR-2-14 M	SR-2-18 M			
CAPACITY							
Capacity 1/18	Kg	11,7 x 2	15 x 2	18,3 x 2			
	Lb	25,7 x 2	33,1	40,4			
Capacity 1/20	Kg	10,5 x 2	13,5 x 2	16,5 x 2			
	Lb	23,1 x 2	29,8	36,3			
DRUM							
Ø Drum	mm	750	750	750			
	inch	29,53	29,53	29,53			
Drum length	mm	475	610	746			
	inch	18,7	24,02	29,37			
Drum volume	l	210	270	330			
	cu ft	7,41	9,53	11,64			
Ø Door	mm	574	574	574			
	inch	22,6	22,6	22,6			
Floor to door center	mm	547 / 1522	547 / 1522	547 / 1522			
	inch	21,54 / 59,92	21,54 / 59,92	21,54 / 59,92			
Floor to lower part of the door	mm	189 / 1164	189 / 1164	189 / 1164			
	inch	7,32 / 45,83	7,32 / 45,83	7,32/45,83			
Drum motor power	kW	0,37 x 2	0,37 x 2	0,37 x 2			
ELECTRIC POWER							
Installed heating power	kW	12 x 2	12 x 2	1,12 x 2			
Installed electrical power	kW	25,34	25,34	25,34			
Evaporation capacity	l/h	15,8	17,2	18,1			
	USgallon/h	4,17	4,54	4,78			
Hourly output	Kg/h	31,6	34,4	36,2			
	Lb/h	69,7	75,8	79,8			
GAS POWER							
Installed heating power gas	kcal/h	10327 x 2	10327 x 2	10327 x 2			
	Btu/h	40945.7 x 2	40945.7 x 2	40945.7 x 2			
Installed heating power gas	kW	12 x 2	12 x 2	12 x 2			
Installed electrical power	KW	1,34	1,34	1,34			
Instant propane gas consumption (G31)	Kg/h	1,03 x 2	1,03 x 2	1,03 x 2			
	Lb/h	2.27 x 2	2.27 x 2	2.27 x 2			
Instant natural gas consumption (G20)	m³/h	1,27 x 2	1,27 x 2	1,27 x 2			
	cfm	0.75 x 2	0.75 x 2	0.75 x 2			
Evaporation capacity	l/h	15,3	16,9	18			
	USgallon/h	4,042	4,465	4,755			
Hourly output	Kg/h	30,6	33,8	36			
	Lb/h	67,5	74,5	79,4			
Ø Gas inlet	BSPP ISO 228-1	1/2"	1/2"	1/2"			
VENTILATION							
Nominal air flow	m³/h	500 x 2	500 x 2	500 x 2			
	cfm	294,28 x 2	294,28 x 2	294,28 x 2			
Air outlet Ø	mm	200	200	200			
	inch	7,87	7,87	7,87			
Fan motor power	kW	0,25 x 2	0,25 x 2	0,25 x 2			
HEAT DISSIPATION							
Total max heat dissipation	kW	2,4	2,4	2,4			
	Btu/h	8193,9	8193,9	8193,9			
Front pannel max heat dissipation	kW	1,68	1,68	1,68			
	Btu/h	5735,8	5735,8	5735,8			
CONNECTIONS		ELECTRICAL	GAS	ELECTRICAL	GAS	ELECTRICAL	GAS
Tension 230V - I + N + T	Nº x mm2 / A	-	3x1.5 A / 16	-	3x1.5 A / 16	-	3x1.5 A / 16
Tension 230V - III + T	Nº x mm2 / A	4 x 25 A / 80	3x1.5 A / 16	4 x 25 A / 80	3x1.5 A / 16	4 x 25 A / 80	3x1.5 A / 16
Tension 400V - III + N + T	Nº x mm2 / A	5 x 10 A / 40	3x1.5 A / 16	5 x 10 A / 40	3x1.5 A / 16	5 x 10 A / 40	3x1.5 A / 16

DIMENSIONS / PACKING DIMENSIONS				
Net width / Gross width	mm	785 / 865	785 / 865	785 / 865
	inch	30,91 / 34,06	30,91 / 34,06	30,91 / 34,06
Net depth / Gross depth	mm	972 / 1055	1106 / 1189	1.242 / 1.325
	inch	38,27 / 41,54	43,54 / 46,81	48,9 / 52,17
Net height / Gross height	mm	1980 / 2126	1980 / 2126	1.980 / 2.126
	inch	77,95 / 83,70	77,95 / 83,70	77,95 / 83,7
Net weight / Gross weight	Kg	260 / 268	275 / 293	290 / 317
	Lb	573,2 / 590,84	606,27 / 645,95	639,34 / 698,87
OTHERS				
Sound level	dB	64	64	64



- 01. Power supply
- 02. Fumes output Ø200
- 03. 2 Sprinkler valves 3/4"
- 04. Gas inlet 1/2"
- 05. Ethernet connection (Only control Touch)

	A	B	C1	C2	D	E	F	G	H	I	J	K	L	M	N	O	P	Q
SR-2-11 M	1980	1447	259	1234	1680	135	785	972	735	130	1275	575	1406	35	103	100	60	1018
SR-2-14 M	1980	1447	259	1234	1680	135	785	1106	735	130	1275	575	1406	35	103	100	60	1018
SR-2-18 M	1980	1447	259	1234	1680	135	785	1242	735	130	1275	575	1406	35	103	100	60	1018



DRYING

STACK DRYERS CONCEPT SR-2-22 M



CHARACTERISTICS

M PROGRAMMER

- M programmer: push buttons to control temperature and time.

OUTSTANDING FEATURES

- Reversing drum action as standard.
- Stainless steel drum as standard.
- Frequency inverter as standard.

EFFICIENCY

- MIXED FLOW - mixed axial-radial airflow.
- Big fluff filter.

VERSATILITY

- Make to order - customisation.
- OPL > Multivending - Standard OPL model easily trasformable to coin laundry uses.

ERGONOMICS

- Drawer as fluff filter, made of stainless steel.
- Biggest door diameters.
- 180° opening hinges.

MAINTENANCE

- Hinged panel: easy and ergonomic access.
- Technical menu: statistics for technicians and maintenance with external console (with console option)

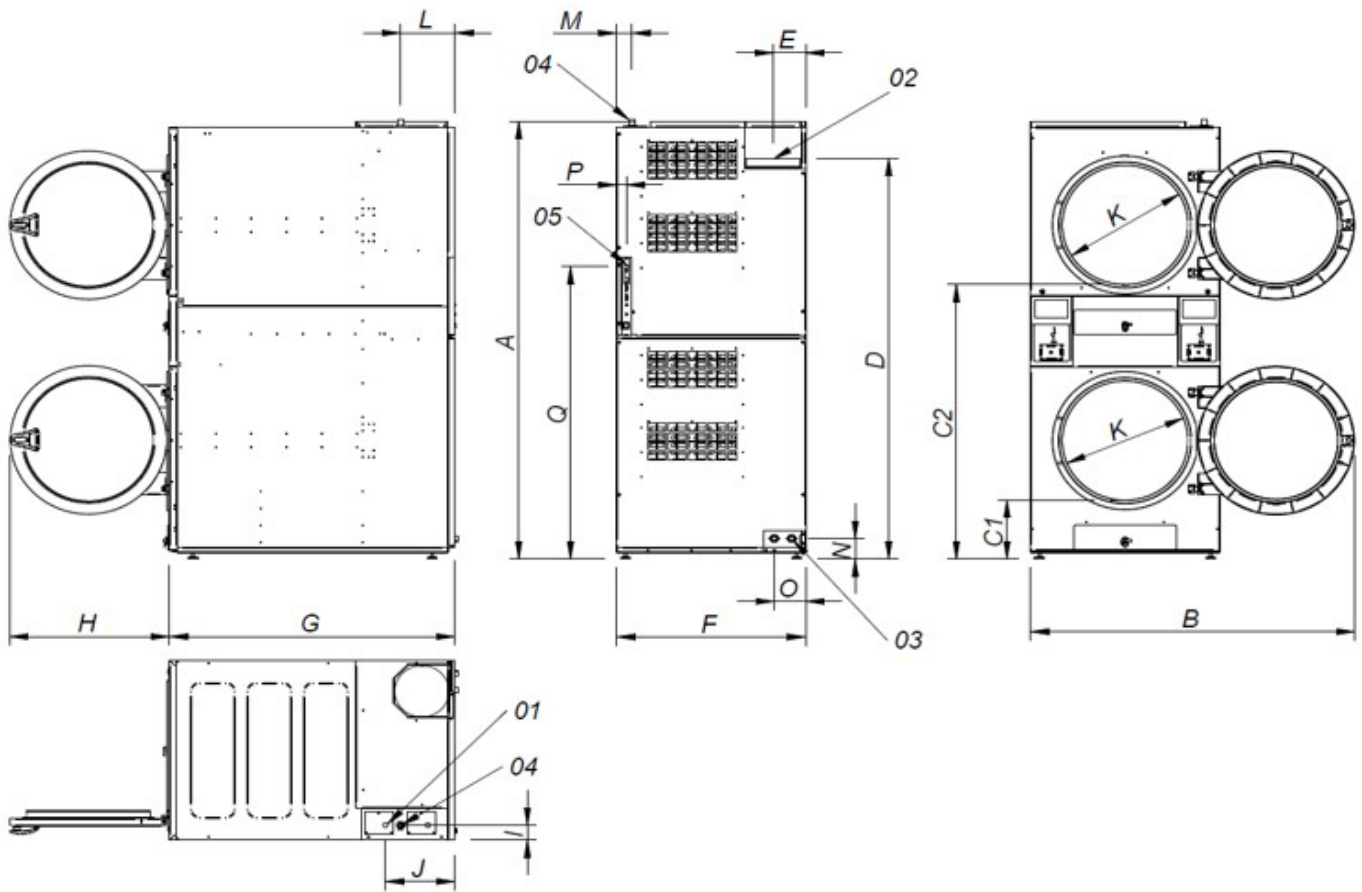
OTHERS

- Grey skinplate outer casing, stainless steel look.
- FK - Integrated Fire Extinguishing System.
- SOFT TOUCH - drum with stamped holes.
- COOL DOWN - anti-wrinkle at the end of the cycle.
- Heating options: electric, gas.
- CE approved.

OPTIONS

- Screen in M programmer (2 units).
- Double dooglass.
- Fluff filter grid 0,3 mm (standard in STACK is 0,6 mm).
- Stainless steel front and side panels.
- Front panel in stainless steel.
- Maritime ooden packing.
- Ship voltage for electric models: 440V III 50/60 Hz No neutral.
- Other voltagages available.

		U.	SR-2-22 M
CAPACITY			
Capacity 1/18	Kg	24,3 x 2	
	Lb	53,6 x 2	
Capacity 1/20	Kg	21,9 x 2	
	Lb	48,3 x 2	
DRUM			
Ø Drum	mm	835	
	inch	32,87	
Drum length	mm	800	
	inch	31,5	
Drum volume	l	440	
	cu ft	15,54	
Ø Door	mm	575	
	inch	22,64	
Floor to door center	mm	574 / 1618	
	inch	22,60 / 63,70	
Floor to lower part of the door	mm	214 / 1258	
	inch	8,46/49,53	
Drum motor power	kW	0,37 x 2	
GAS POWER			
Installed heating power gas	kcal/h	26139 x 2	
	Btu/h	103658.5 x 2	
Installed heating power gas	kW	30,4 x 2	
Installed electrical power	KW	1,94	
Instant propane gas consumption (G31)	Kg/h	2,61 x 2	
	Lb/h	5.75 x 2	
Instant natural gas consumption (G20)	m³/h	3,22 x 2	
	cfm	1.89 x 2	
Evaporation capacity	l/h	44,	
	USgallon/h	11,624	
Hourly output	Kg/h	88	
	Lb/h	194	
Ø Gas inlet	BSPP ISO 228-1	3/4"	
VENTILATION			
Nominal air flow	m³/h	900 x 2	
	cfm	529,72 x 2	
Air outlet Ø	mm	250	
	inch	9,84	
Fan motor power	kW	0,55 x 2	
HEAT DISSIPATION			
Total max heat dissipation	kW	2,6	
	Btu/h	8876,8	
Front pannel max heat dissipation	kW	1,9	
	Btu/h	6486,9	
CONNECTIONS		GAS	
Tension 230V - I + N + T	Nº x mm2 / A	3 x 2,5 / 20 A	
Tension 230V - III + T	Nº x mm2 / A	3 x 2,5 / 20 A	
Tension 400V - III + N + T	Nº x mm2 / A	3 x 2,5 / 20 A	
DIMENSIONS / PACKING DIMENSIONS			
Net width / Gross width	mm	870 / 950	
	inch	34,25 / 37,4	
Net depth / Gross depth	mm	1312 / 1395	
	inch	51,65 / 54,92	
Net height / Gross height	mm	2118 / 2250	
	inch	83,39 / 88,58	
Net weight / Gross weight	Kg	373,5 / 388,5	
	Lb	823,43 / 856,50	
OTHERS			
Sound level	dB	64	



- 01. Power supply
- 02. Fumes output Ø250
- 03. 2 Sprinkler valves 3/4"
- 04. Gas inlet 3/4"
- 05. Ethernet connection (Only control Touch)

	A	B	C1	C2	D	E	F	G	H	I	J	K	L	M	N	O	P	Q
SR-2-22 M	2118	1490	286	1330	1940	149	870	1312	735	73	320	575	250	70	100	145	45	1416



DRYING

—

STACK DRYERS POWERED SR-2-18 M POWERED

CHARACTERISTICS

SR-2-18 M POWERED

- M programmer: push buttons to control temperature and time
- Reversing drum action as standard
- Stainless steel drum as standard
- POWERED gas heated model: more power to achieve more productivity.
- OPL > Multivending

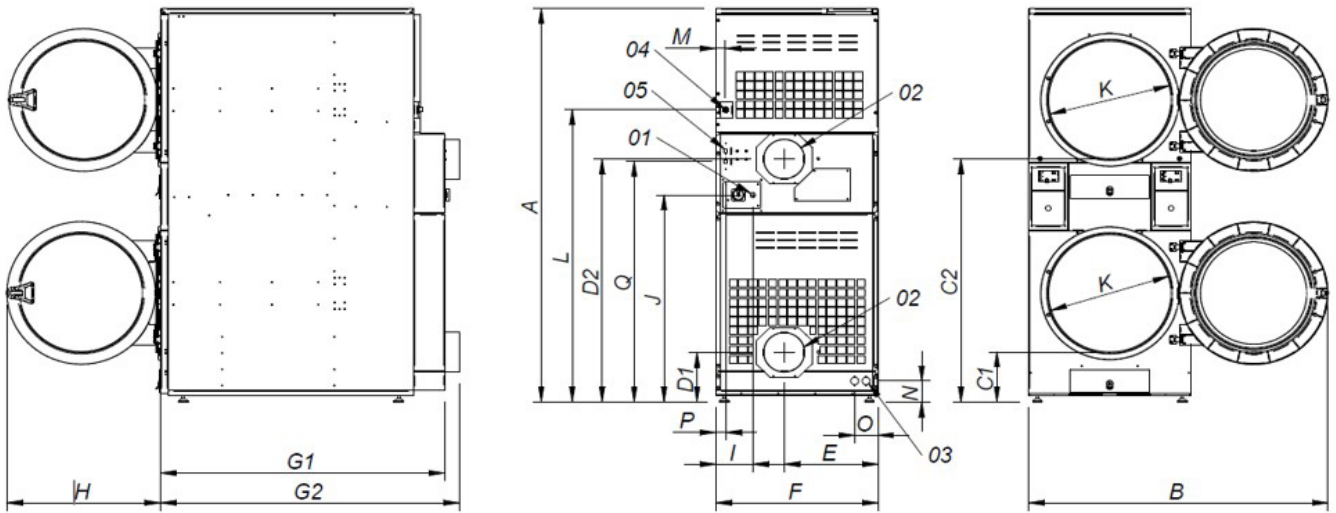
OPTIONS

SR-2-18 M POWERED

- Screen in M programmer



		U.	SR-2-18 M POWERED
CAPACITY			
Capacity 1/18	Kg	18,3 x 2	
	Lb	40,4 x 2	
Capacity 1/20	Kg	16,5 x 2	
	Lb	36,3 x 2	
DRUM			
Ø Drum	mm	750	
	inch	29,53	
Drum length	mm	746	
	inch	29,37	
Drum volume	l	330	
	cu ft	11,64	
Ø Door	mm	574	
	inch	22,6	
Floor to door center	mm	547 / 1.522	
	inch	21,54 / 59,92	
Floor to lower part of the door	mm	189 / 1164	
	inch	7,32 / 45,83	
Drum motor power	kW	0,37 x 2	
GAS POWER			
Installed heating power gas	kcal/h	20650 x 2	
	Btu/h	81891.4 x 2	
Installed heating power gas	kW	24 x 2	
Installed electrical power	kW	1,94	
Instant propane gas consumption (G31)	Kg/h	2,06 x 2	
	Lb/h	4.54 x 2	
Instant natural gas consumption (G20)	Kg/h	2,54 x 2	
	Lb/h	1.49 x 2	
Evaporation capacity	l/h	35,3	
	USgallon/h	9,325	
Hourly output	Kg/h	70,7	
	Lb/h	155,9	
Ø Gas inlet	BSP ISO 228-1	1/2"	
VENTILATION			
Nominal air flow	m³/h	750 x 2	
	cfm	441,43 x 2	
Air outlet Ø	mm	200 x 2	
	inch	7,87 x 2	
Fan motor power	kW	0,55 x 2	
HEAT DISSIPATION			
Total max heat dissipation	kW	2,5	
	Btu/h	8535,4	
Front pannel max heat dissipation	kW	1,8	
	Btu/h	6145,5	
CONNECTIONS		GAS	
Tension 230V - I + N + T	Nº x mm2 / A	3x2,5 / 20A	
Tension 230V - III + T	Nº x mm2 / A	3x2,5 / 20A	
Tension 400V - III + N + T	Nº x mm2 / A	3x2,5 / 20A	
DIMENSIONS / PACKING DIMENSIONS			
Net width / Gross width	mm	785 / 865	
	inch	30,91 / 34,06	
Net depth / Gross depth	mm	1443 / 1457	
	inch	56,81 / 57,36	
Net height / Gross height	mm	1980 / 2126	
	inch	77,95 / 83,70	
Net weight / Gross weight	Kg	320 / 349	
	Lb	705,48 / 769,41	
OTHERS			
Sound level	dB	64	



- 01. Electric connection
- 02. 2 Fumes output Ø200
- 03. Sprinkler valves 3/4"
- 04. Gas inlet 1/2"
- 05. Ethernet connection (Only control Touch)

	A	B	C1	C2	D1	D2	E	F	G1	G2	H	I	J	K	L	M	N	O	P	Q
SR-2-18 M POWERED	1980	1447	259	1234	250	1223	454	785	1374	1443	735	180	1040	575	1472	45	103	100	49	1210