



# WATER RECOVERY

## WATER RECOVERY TANKS KRS WREC-80 T1

### CHARACTERISTICS

#### EFFICIENCY

- Up to 70% water savings.
- Up to 40% energy savings.
- Detergents savings.

#### EASY INSTALLATION & MAINTENANCE

- Plug and play.
- Requires little space.
- Self-cleaning tanks with preset programs (with washers equipped with TP2 control).
- Tanks easy to remove and clean.

#### OTHERS

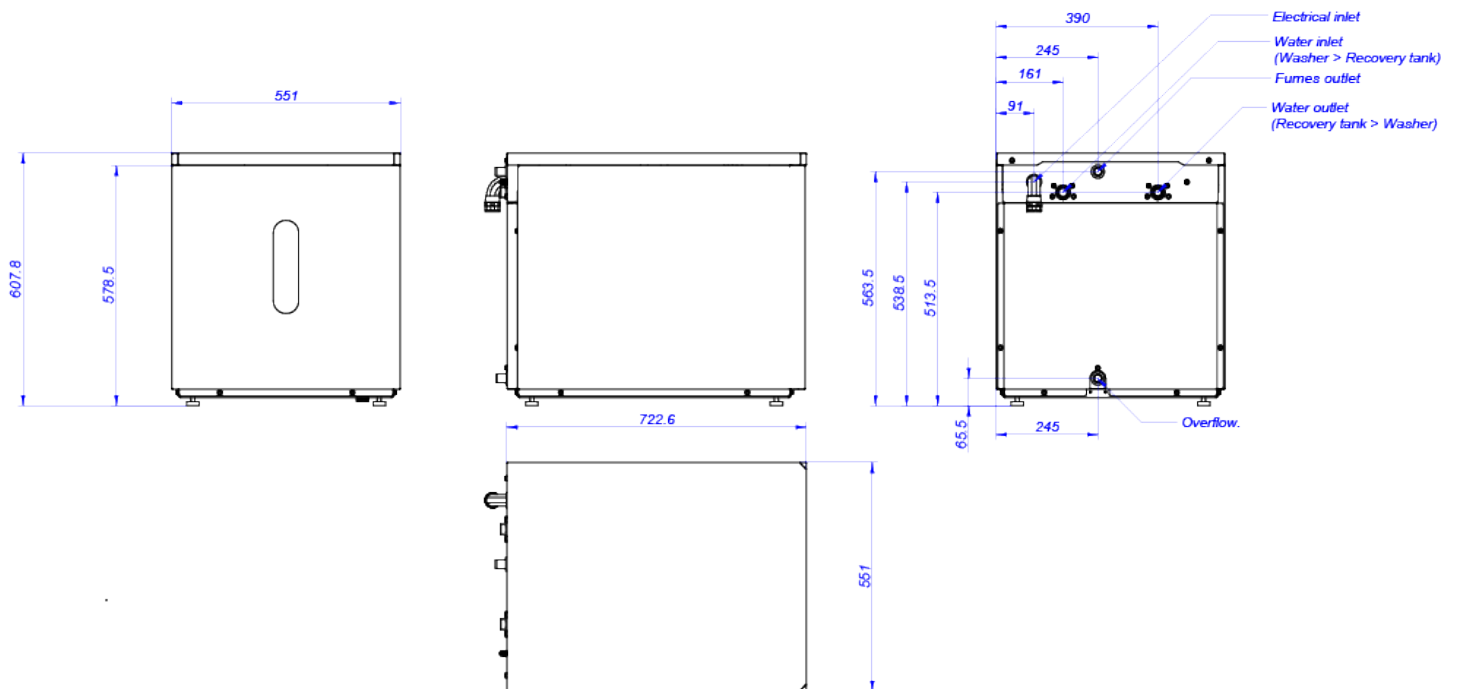
- 1, 2 or 3 tanks.
- Grey skinplate panels.
- High density polyethylene tanks.
- 2 water level sensors in each tank
- 80 lt tanks for washers from 11 to 22 kg.
- 150 lts tanks for washers from 28 to 35 kg.



# TECHNICAL DATA

## WATER RECOVERY TANKS | KRS | WREC-80 T1

	U.	WREC-80 T1
<b>TANKS</b>		
Tanks	l	80*1
Washers capacities:front / barrier	Kg	11, 14, 18 / 16, 22
External panels	-	skinplate
Tank material	-	polyethylene
<b>CONNECTIONS</b>		
Water inlet	inch	3/4"
Water outlet	inch	3/4"
Ø Fumes outlet	mm	21
Ø Drain	mm	21
<b>DIMENSIONS / PACKING DIMENSIONS</b>		
Net width / Gross width	mm	551 / 570
Net depth / Gross depth	mm	722,6 / 800
Net height / Gross height	mm	607,8 / 1.050
Net weight / Gross weight	Kg	60 / 80
Volume	m <sup>3</sup>	0,479





WATER  
RECOVERY

WATER RECOVERY TANKS  
KRS  
WREC-80 T2

## CHARACTERISTICS

### EFFICIENCY

- Up to 70% water savings.
- Up to 40% energy savings.
- Detergents savings.

### EASY INSTALLATION & MAINTENANCE

- Plug and play.
- Requires little space.
- Self-cleaning tanks with preset programs (with washers equipped with TP2 control).
- Tanks easy to remove and clean.

### OTHERS

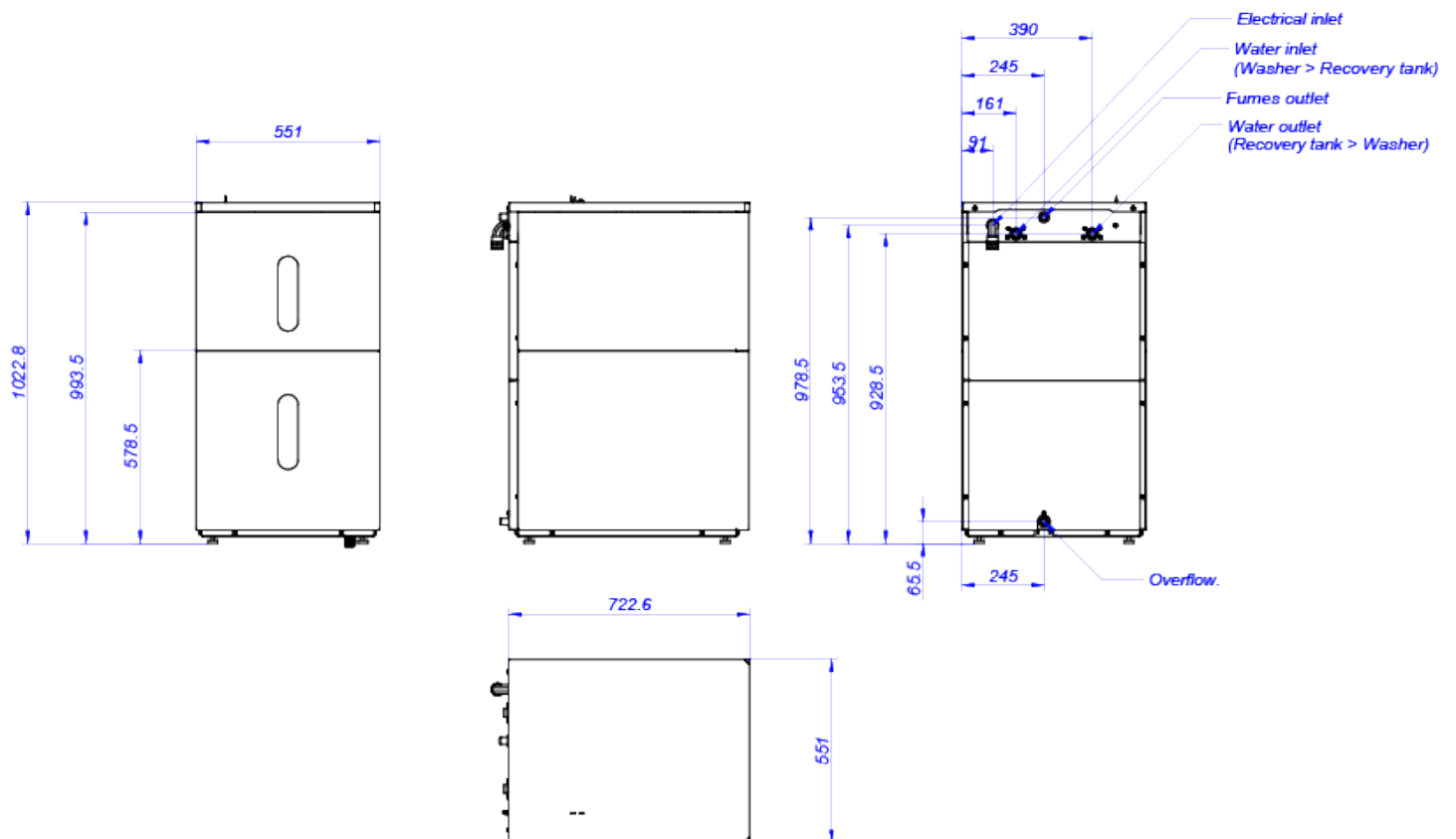
- 1, 2 or 3 tanks.
- Grey skinplate panels.
- High density polyethylene tanks.
- 2 water level sensors in each tank.
- 80 lt tanks for washers from 11 to 22 kg.
- 150 lts tanks for washers from 28 to 35 kg.



# TECHNICAL DATA

## WATER RECOVERY TANKS | KRS | WREC-80 T2

	U.	WREC-80 T2
<b>TANKS</b>		
Tanks	1	80*2
Washers capacities: front / barrier	Kg	11, 14, 18 / 16, 22
External panels	-	skinplate
Tank material	-	polyethylene
<b>CONNECTIONS</b>		
Water inlet	inch	3/4"
Water outlet	inch	3/4"
Ø Fumes outlet	mm	21
Ø Drain	mm	21
<b>DIMENSIONS / PACKING DIMENSIONS</b>		
Net width / Gross width	mm	551 / 570
Net depth / Gross depth	mm	722,6 / 800
Net height / Gross height	mm	1022.8 / 1.450
Net weight / Gross weight	Kg	60 / 80
Volume	m <sup>3</sup>	0,661





# WATER RECOVERY

## WATER RECOVERY TANKS KRS WREC-80 T3

### CHARACTERISTICS

#### EFFICIENCY

- Up to 70% water savings.
- Up to 40% energy saving.
- Detergents savings.

#### EASY INSTALLATION & MAINTENANCE

- Plug and play.
- Requires little space.
- Self-cleaning tanks with preset programs (with washers equipped with TP2 control).
- Tanks easy to remove and clean.

#### OTHERS

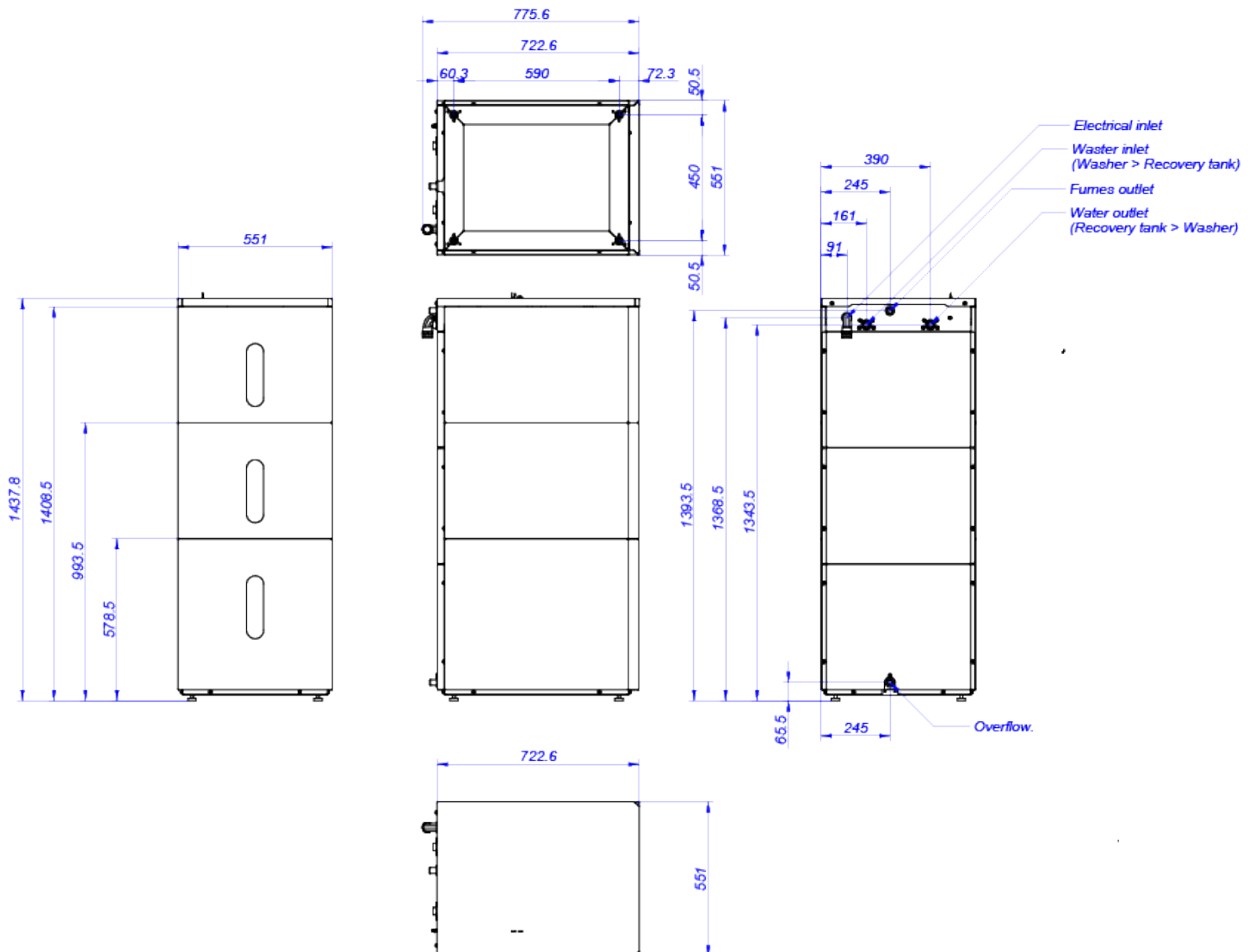
- 1, 2 or 3 tanks-
- Grey skinplate panels-
- High density polyethylene tanks-
- 2 water level sensors in each tank-
- 80 lt tanks for washers from 11 to 22 kg.
- 150 lts tanks for washers from 28 to 35 kg.



# TECHNICAL DATA

## WATER RECOVERY TANKS | KRS | WREC-80 T3

	U.	WREC-80 T3
<b>TANKS</b>		
Tanks	l	80*3
Washers capacities: front / barrier	Kg	11, 14, 18 / 16, 22
External panels	-	skinplate
Tank material	-	polyethylene
<b>CONNECTIONS</b>		
Water inlet	inch	3/4"
Water outlet	inch	3/4"
Ø Fumes outlet	mm	21
Ø Drain	mm	21
<b>DIMENSIONS / PACKING DIMENSIONS</b>		
Net width / Gross width	mm	551 / 570
Net depth / Gross depth	mm	722,6 / 800
Net height / Gross height	mm	1.437,8 / 1.850
Net weight / Gross weight	Kg	80 / 100
Volume	m³	0,844





# WATER RECOVERY

## WATER RECOVERY TANKS KRS WREC-150 T1

### CHARACTERISTICS

#### EFFICIENCY

- Up to 70% water savings.
- Up to 40% energy savings.
- Detergents savings.

#### EASY INSTALLATION & MAINTENANCE

- Plug and play.
- Requires little space.
- Self-cleaning tanks with preset programs (with washers equipped with TP2 control).
- Tanks easy to remove and clean.

#### OTHERS

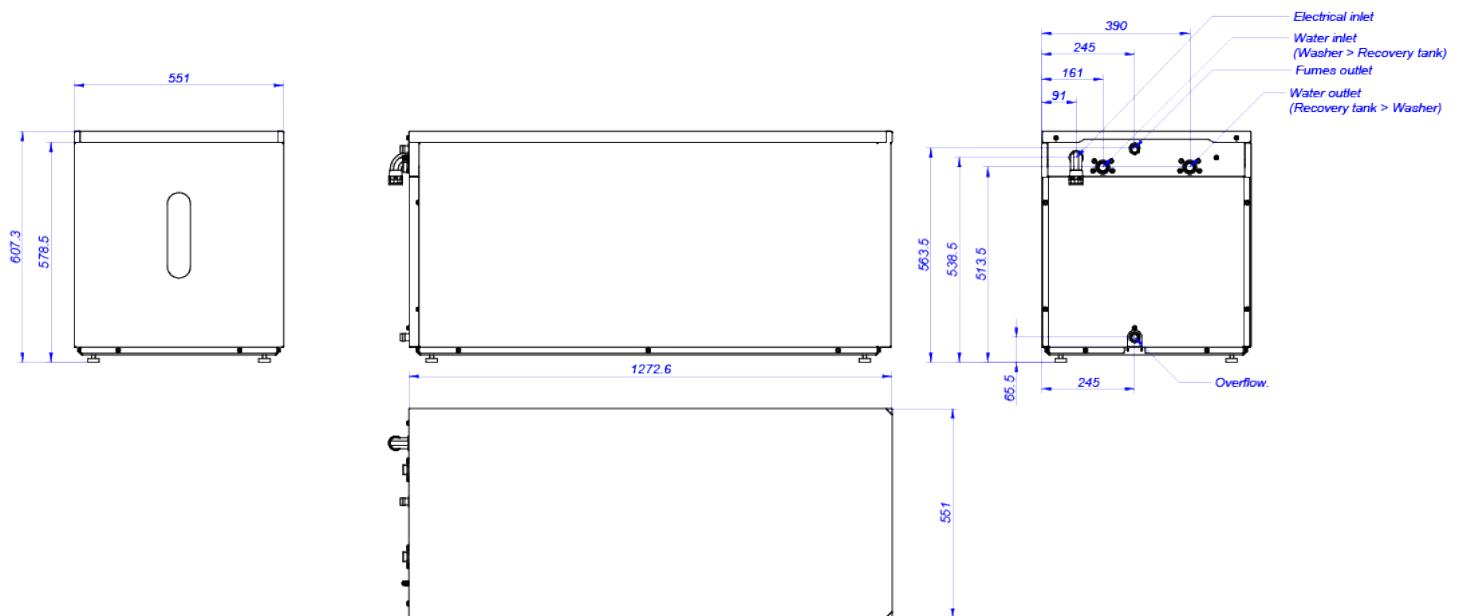
- 1, 2 or 3 tanks.
- Grey skinplate panels.
- High density polyethylene tanks.
- 2 water level sensors in each tank.
- 80 lt tanks for washers from 11 to 22 kg.
- 150 lts tanks for washers from 28 to 35 kg.



# TECHNICAL DATA

## WATER RECOVERY TANKS | KRS | WREC-150 T1

	U.	WREC-150 T1
<b>TANKS</b>		
Tanks	l	150*1
Washers capacities: front / barrier	Kg	27,36 / 27,35
External panels	-	skinplate
Tank material	-	polyethylene
<b>CONNECTIONS</b>		
Water inlet	inch	3/4"
Water outlet	inch	3/4"
Ø Fumes outlet	mm	21
Ø Drain	mm	21
<b>DIMENSIONS / PACKING DIMENSIONS</b>		
Net width / Gross width	mm	551 / 570
Net depth / Gross depth	mm	1272,6 / 1.350
Net height / Gross height	mm	607,3/ 1.050
Net weight / Gross weight	Kg	60 / 80
Volume	m <sup>3</sup>	0,808







# WATER RECOVERY

## WATER RECOVERY TANKS KRS WREC-150 T2

### CHARACTERISTICS

#### EFFICIENCY

- Up to 70% water savings.
- Up to 40% energy savings.
- Detergents savings.

#### EASY INSTALLATION & MAINTENANCE

- Plug and play.
- Requires little space.
- Self-cleaning tanks with preset programs (with washers equipped with TP2 control).
- Tanks easy to remove and clean.

#### OTHERS

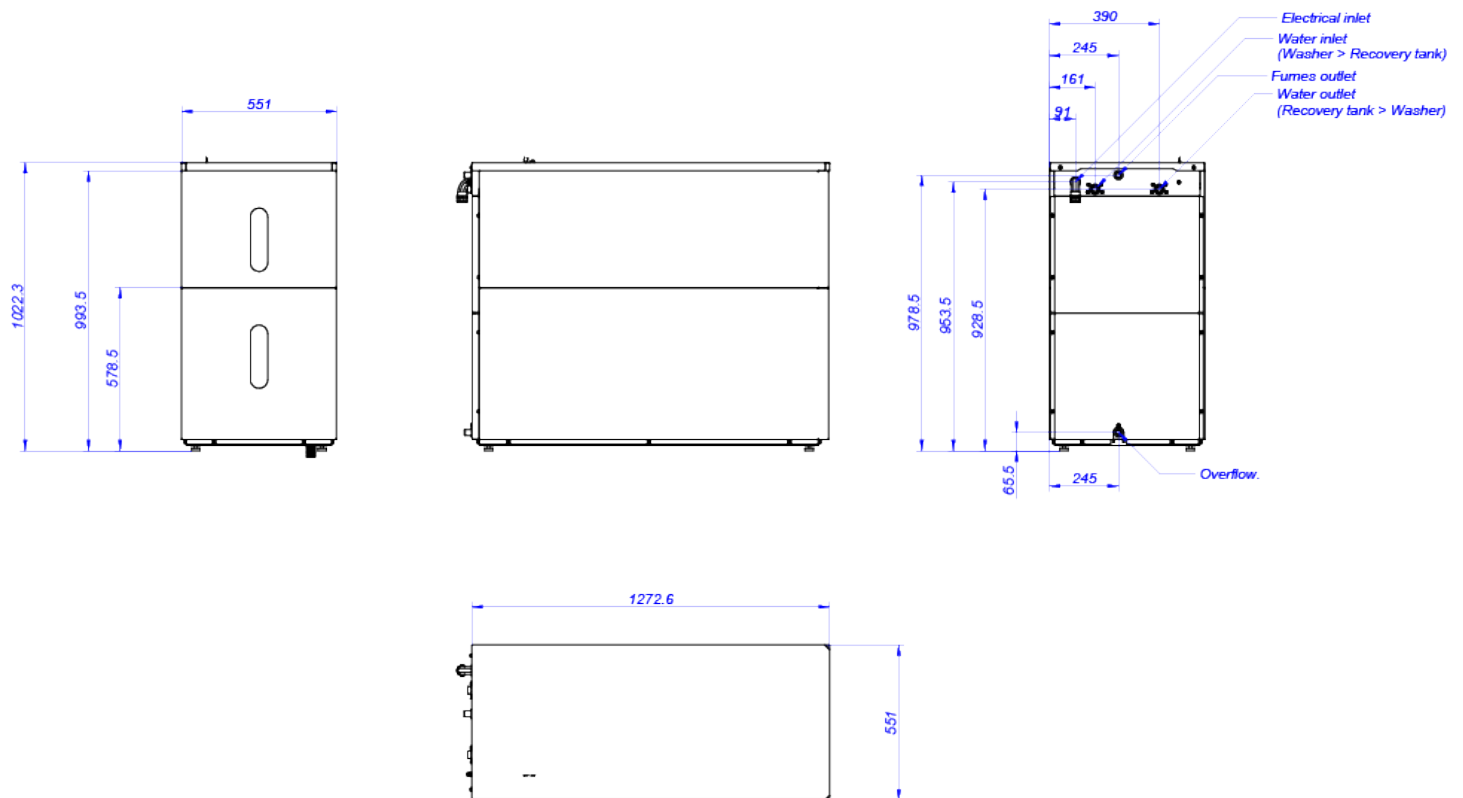
- 1, 2 or 3 tanks.
- Grey skinplate panels.
- High density polyethylene tanks.
- 2 water level sensors in each tank.
- 80 lt tanks for washers from 11 to 22 kg.
- 150 lts tanks for washers from 28 to 35 kg.



# TECHNICAL DATA

## WATER RECOVERY TANKS | KRS | WREC-150 T2

	U.	WREC 150 T2
<b>TANKS</b>		
Tanks	l	150*2
Washers capacities: front / barrier	Kg	27,36 / 27,35
External panels	-	skinplate
Tank material	-	polyethylene
<b>CONNECTIONS</b>		
Water inlet	inch	3/4"
Water outlet	inch	3/4"
Ø Fumes outlet	mm	21
Ø Drain	mm	21
<b>DIMENSIONS / PACKING DIMENSIONS</b>		
Net width / Gross width	mm	551 / 570
Net depth / Gross depth	mm	1.272.6 / 1.350
Net height / Gross height	mm	1.022,3 / 1.450
Net weight / Gross weight	Kg	60 / 80
Volume	m³	1,116





# WATER RECOVERY

## WATER RECOVERY TANKS KRS WREC-150 T3

### CHARACTERISTICS

#### EFFICIENCY

- Up to 70% water savings.
- Up to 40% energy savings.
- Detergents savings.

#### EASY INSTALLATION & MAINTENANCE

- Plug and play.
- Requires little space.
- Self-cleaning tanks with preset programs (with washers equipped with TP2 control).
- Tanks easy to remove and clean.

#### OTHERS

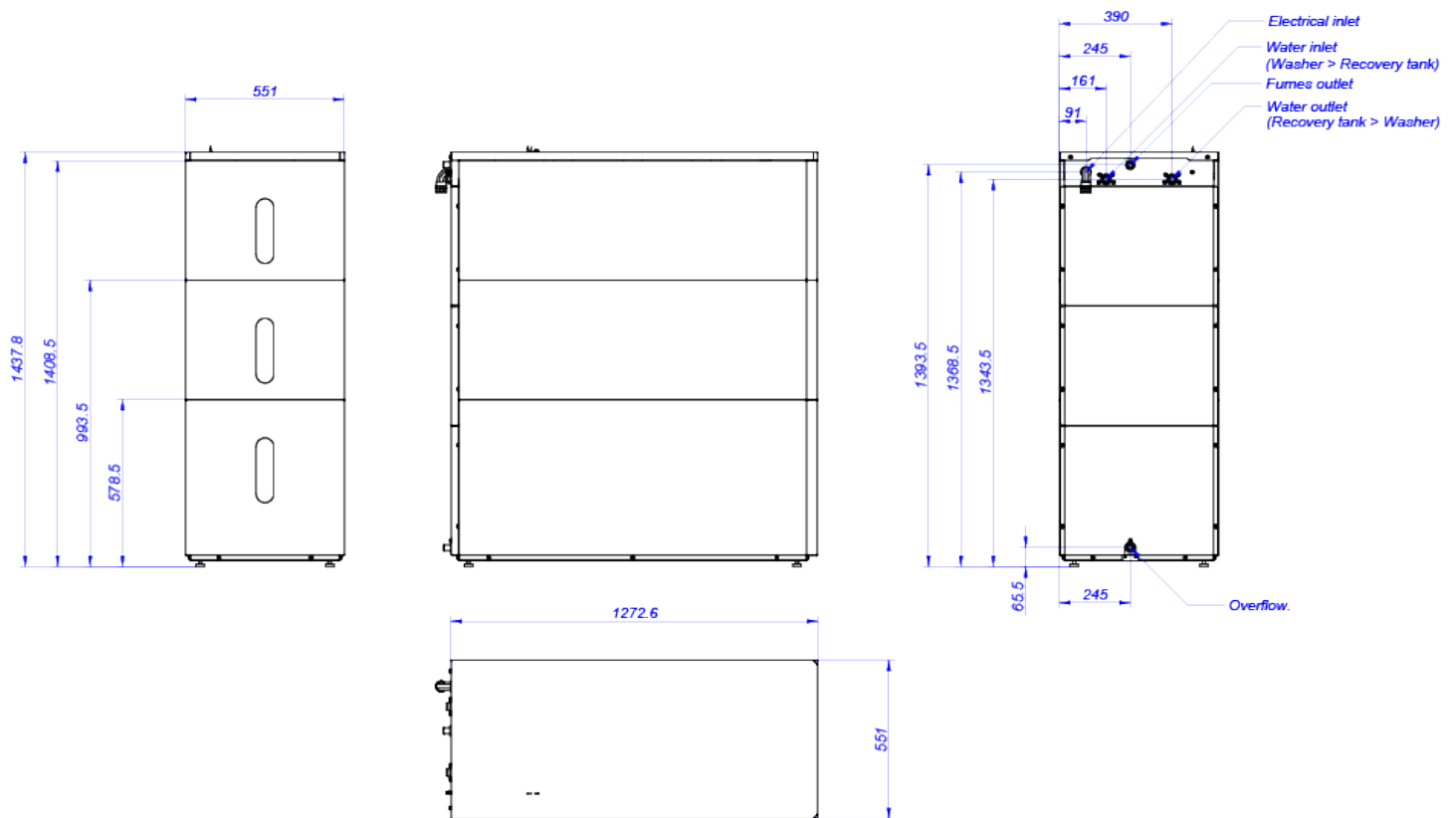
- 1, 2 or 3 tanks.
- Grey skinplate panels.
- High density polyethylene tanks.
- 2 water level sensors in each tank.
- 80 lt tanks for washers from 11 to 22 kg.
- 150 lts tanks for washers from 28 to 35 kg.



# TECHNICAL DATA

## WATER RECOVERY TANKS | KRS | WREC-150 T3

	U.	WREC-150 T3
<b>TANKS</b>		
Tanks	l	150*3
Washers capacities: front / barrier	Kg	27,36 / 27,35
External panels	-	skinplate
Tank material	-	polyethylene
<b>CONNECTIONS</b>		
Water inlet	inch	3/4"
Water outlet	inch	3/4"
Ø Fumes outlet	mm	21
Ø Drain	mm	21
<b>DIMENSIONS / PACKING DIMENSIONS</b>		
Net width / Gross width	mm	551 / 570
Net depth / Gross depth	mm	1.272,6 / 1.350
Net height / Gross height	mm	1.437,8 / 1.850
Net weight / Gross weight	Kg	80 / 100
Volume	m <sup>3</sup>	1,424





# WATER RECOVERY

# WATER RECOVERY TANKS KRS WREC-1000



## CHARACTERISTICS

### EFFICIENCY

- Up to 70% water savings.
- Up to 40% energy savings.
- Savings in detergents.

### EASY INSTALLATION & MAINTENANCE

- Easy connection with 1" valve.
- Self cleaning programs.
- The tanks have holes to be able to fix them to the ground.

### OTHERS

- 1, 2 or 3 tanks of 1000 litres each.
- One or more washing machines can be connected to be able to reuse the washing water.
- Sold separately.
- No external panels, just the frame.

### OPTIONS

- Connection kit 1" from barriers LBS-27/35/50/70/100 to WREC-1000.
- Connection kit 1" from washers LA/LN-35C/45C/45C/60C/80C to WREC-1000.
- Connection kit 1" from washers LA-100C/120C to WREC-1000.
- Raised platform.
- Mounting accessories kit.



## MACHINES THAN CAN BE CONNECTED

- Up to 8 of 35/45 kg washers
- Up to 4 of 60/80 kg washers
- Up to 3 of 100/120 kg washers

# TECHNICAL DATA

## WATER RECOVERY TANKS | KRS | WREC-1000

	U.	WREC-1000
<b>TANKS</b>		
Tanks	1	1000
Washers capacities: front / barrier	Kg	35, 45, 60, 80, 100, 120 / 27, 35, 50, 70, 100
External panels	-	skinplate
Tank material	-	polyethylene
<b>CONNECTIONS</b>		
Water inlet	inch	1"
Water outlet	inch	1"
Ø Fumes outlet	mm	70
Ø Drain	inch	1"
<b>DIMENSIONS / PACKING DIMENSIONS</b>		
Net width / Gross width	mm	702 / 785
Net depth / Gross depth	mm	1.375 / 1.450
Net height / Gross height	mm	2.206 / 2.262
Net weight / Gross weight	Kg	147 / 173

